



UPUTE ZA MONTAŽU  
MOUNTING INSTRUCTIONS

**PARMA 150 sa nosačem ručnika**  
**PARMA 150 with towel holder**

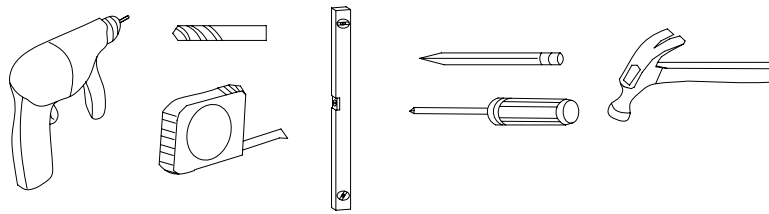
# Uputa za montažu tuš paravana

## 1. Priprema za montažu

- 1) Nakon otvaranja kutije pročitajte pažljivo upute i provjerite da li ste dobili sve navedene dijelove. Također pregledajte kabinu da biste provjerili da ne postoje eventualna oštećenja. Ukoliko primjetite da kabina nema sve potrebne dijelove ili postoje oštećenja, prije montaže kontaktirajte trgovca radi uklanjanja nedostataka.
- 2) Potreban alat: bušilica, svrdlo za beton, odvijač, libela, metar, olovka
- 3) Kod reljefnog stakla: obratite pažnju na orijentaciju stakla; reljefna strana mora biti okrenuta prema van, a glatka prema unutra!

## 2. Popis dijelova

- |                             |                            |                             |
|-----------------------------|----------------------------|-----------------------------|
| 1) Zidni profil (1 kom)     | 2) Plastična tipla (4 kom) | 3) Metalna podloška (4 kom) |
| 4) Vijak M4x30 (4 kom)      | 5) Staklena vrata (1 kom)  | 6) Nosač ručnika (1 kom)    |
| 7) Donja brtva (1 kom)      | 8) Podloška (3 kom)        | 9) Vijak M4x10 (3 kom)      |
| 10) Kapica za vijak (3 kom) | 11) Poklopac (1 kom)       |                             |



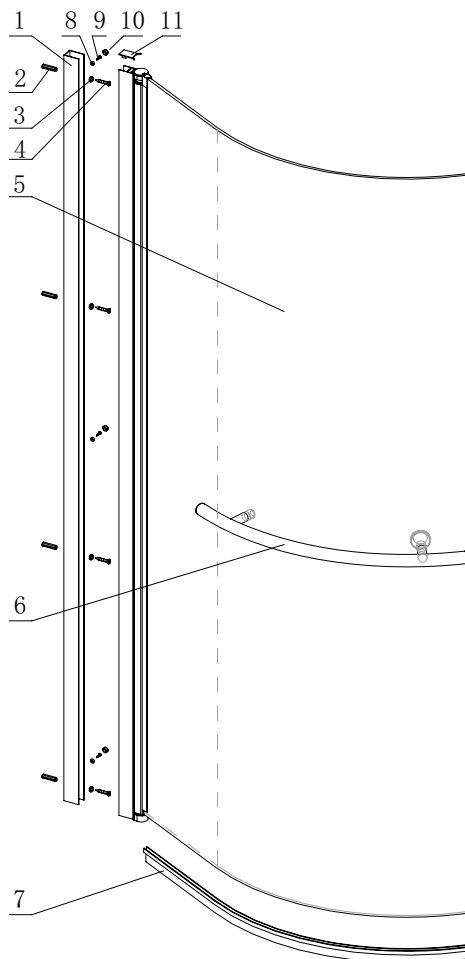
## User's Guide

### 1. Mounting Preparation

- 1) After opening the carton, read this introduction carefully, check all the packed parts, and examine the shower cabin for shipping damage. If there is any problem, please contact the local seller or our company directly in time. You will get a satisfactory answer.
- 2) Necessary tools: drilling machine, stone drill (D=6mm), drill (D=3.0mm), cross strip, water level, meter stick, pencil.
- 3) With structured or imprinted glass make sure the smooth side of glass faces the inner side.

### 2. Packing list

- 1) wall profiles (1 pc)
- 2) plastic plugs (4 pc)
- 3) stainless steel gaskets (4 pc)
- 4) M4x30 screws (4 pc)
- 5) pivot door (1 pc)
- 6) towel bar (1 pc)
- 7) anti-water strip of bottom (1 pc)
- 8) screws cushion (3 pc)
- 9) M4x10 screws (3 pc)
- 10) screws cover (3 pc)
- 11) cover cap (1 pc)



### 3. Postupak montaže

- 1) Položite zidni profil na zid pazeći da je profili udaljen od ruba kade 40 mm te da je vertikalno postavljen. Nakon nivelacije označite na zidu položaje za bušenje (**slika br.1**).

- 2) Izbušite rupe prema oznakama na zidu i postavite tiple (**slika br.2**).

### 3. Mounting process

- 1) Put the wall profiles on the walls , keep the distance between profiles and bathtub edge 40 mm , adjusting the profiles to make sure it is vertical .Mark the holes on the wall . As Fig.1

- 2) Drilling the holes) 4--  $\phi 6$ mm (according the mark ,insert the plastic plug into the hoes .As Fig.2 .

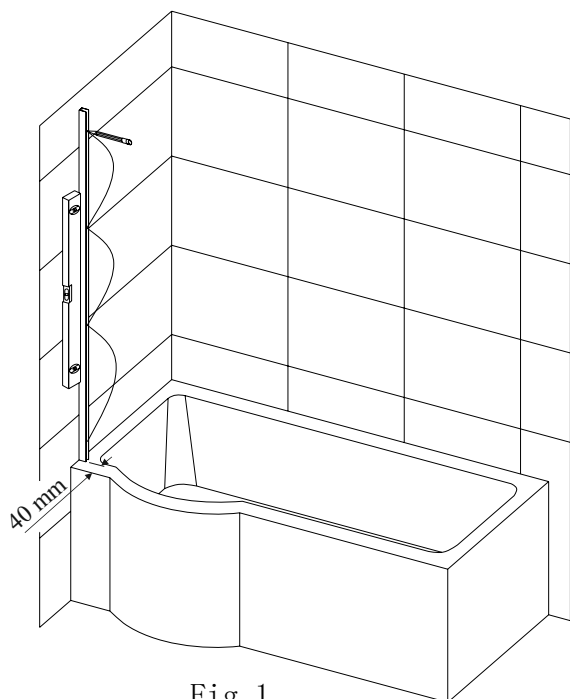


Fig. 1

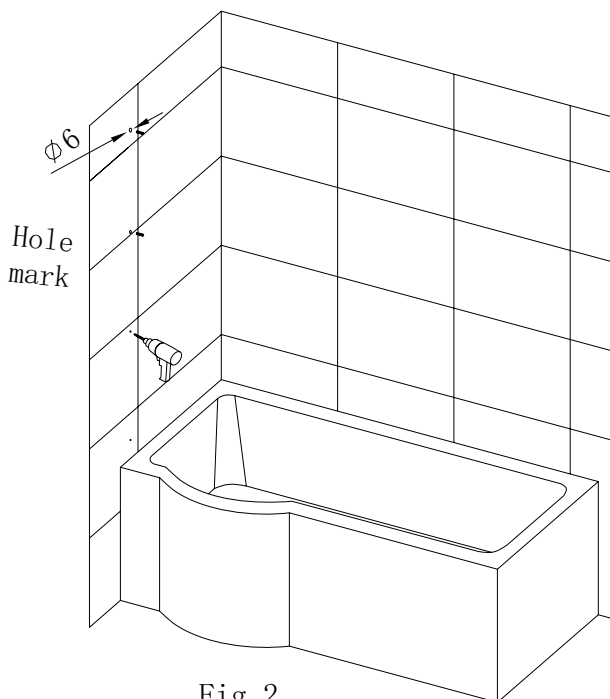


Fig. 2

- 3) Vijcima M4x30 učvrstite zidni profil na zid. **(slika br. 3)**
- 4) Postavite staklena vrata s profilom u zidni profil **(slika br. 4)**

- 3) Use screws M4x30 to fix the wall profile1 (on the wall .As Fig.3
- 4) Connect the pivot doors with the wall profiles .As Fig.4

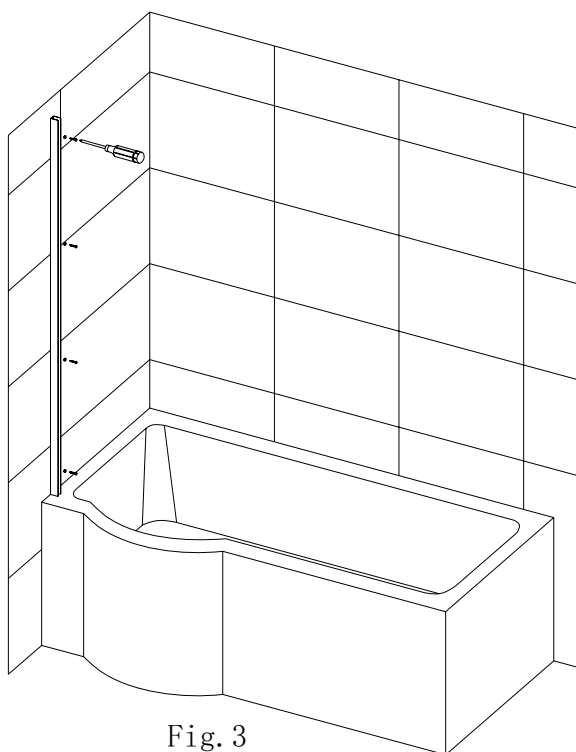


Fig. 3

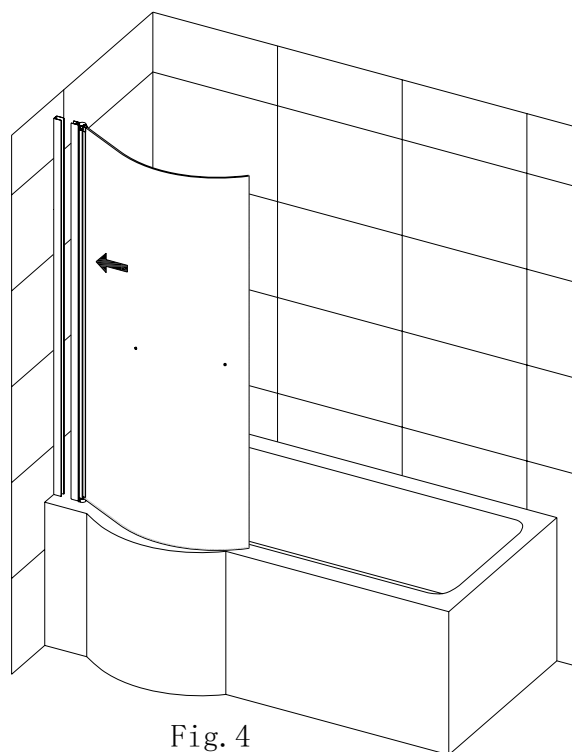


Fig. 4

- 5) Postavite donju brtvu i nosač ručnika. **(slika br. 5)**
- 6) Vijcima M4x10 učvrstite staklena vrata s zidnim profilom. **(slika br. 6)**
- 7) Otpustite vijke M4x10, podesite staklena vrata u pravi položaj u odnosu na rub kade, stegnite vijke
- 8) Postavite poklopac na vrh profila te silikonirajte spoj između zidnog profila i zida.

- 5) Install the anti-water strip of bottom and towel bar on the glass door. As Fig.5
- 6) Use the M4x10 screws to connect the pivot doors with the wall profiles .As Fig.6
- 7) Adjust the screws M4x10 ,make sure the pivot doors works well .
- 8) Put the cover cap on the top of wall profile and paint some glass cement between the wall and profile .

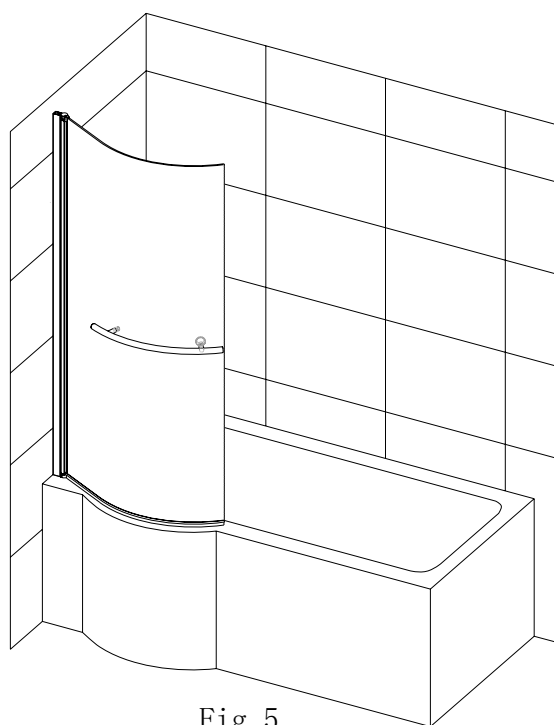


Fig. 5

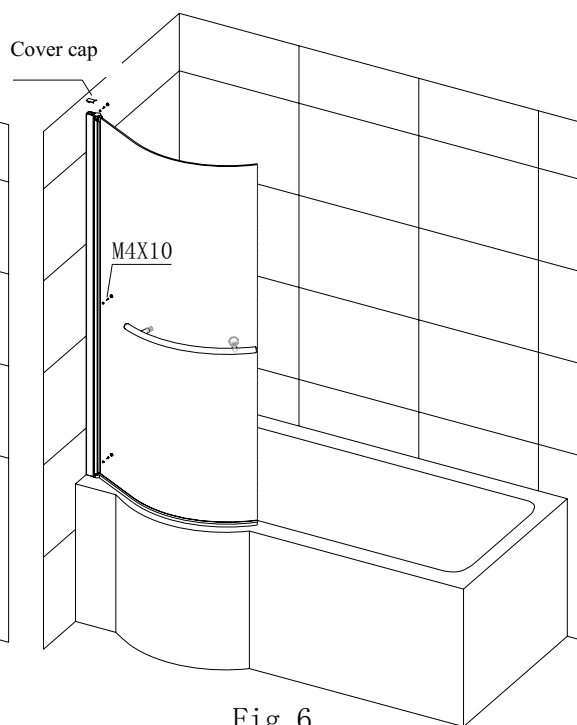


Fig. 6